

**SINGER**  
**997E3,E5,E6,E10,E11**

Thomas J. Koehler

**PARTS CHART**  
**FOR**  
**SINGER\***  
**997<sub>E3</sub> 997<sub>E5</sub> 997<sub>E6</sub>**  
**997<sub>E10</sub> 997<sub>E11</sub>**  
**MACHINES**

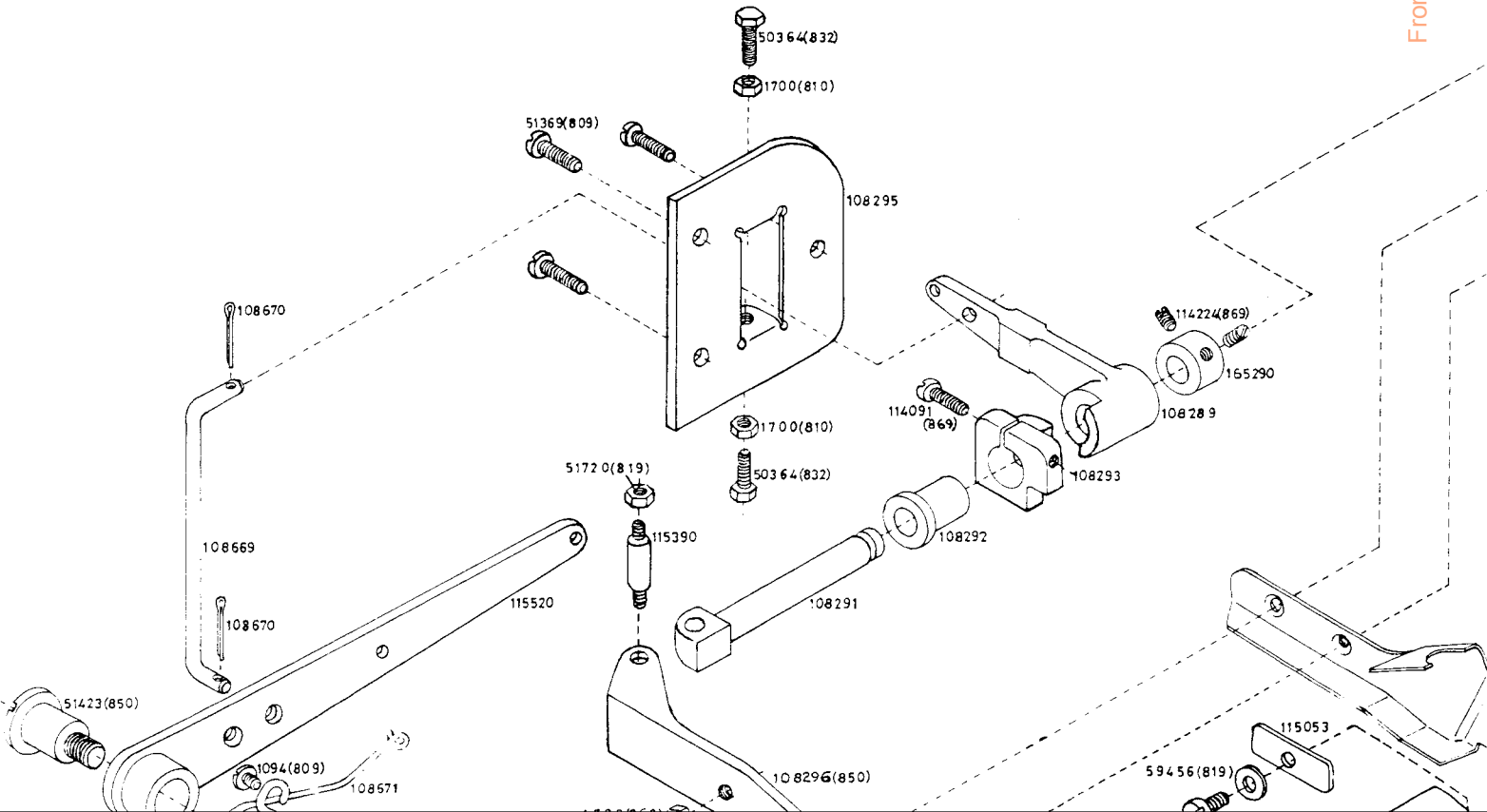
From the library of: Diamond Needle Corp

# SINGER

## 997 E3 997 E5 997 E6

## 997 E10 997 E11

From the library of: Diamond Needle Corp



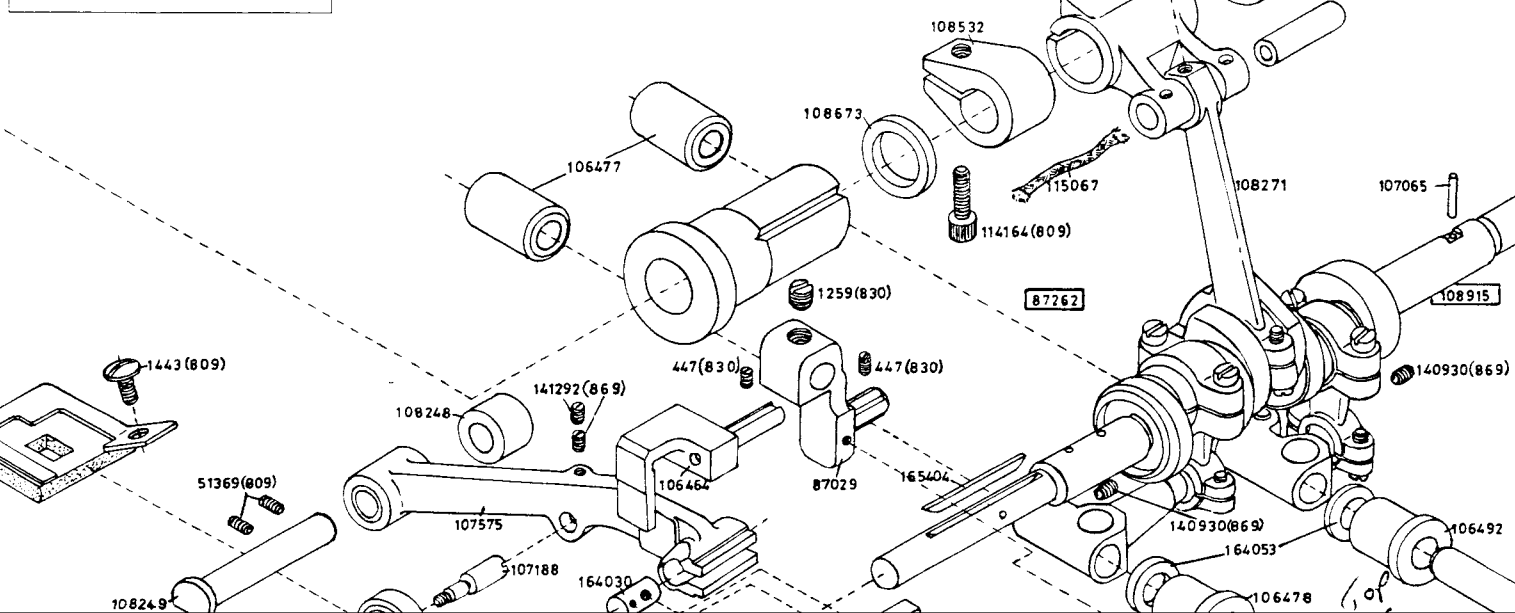
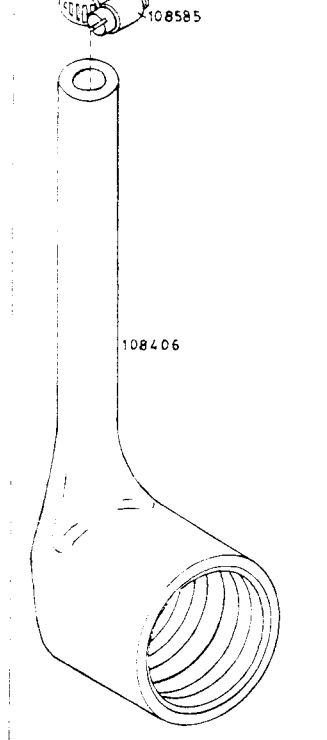
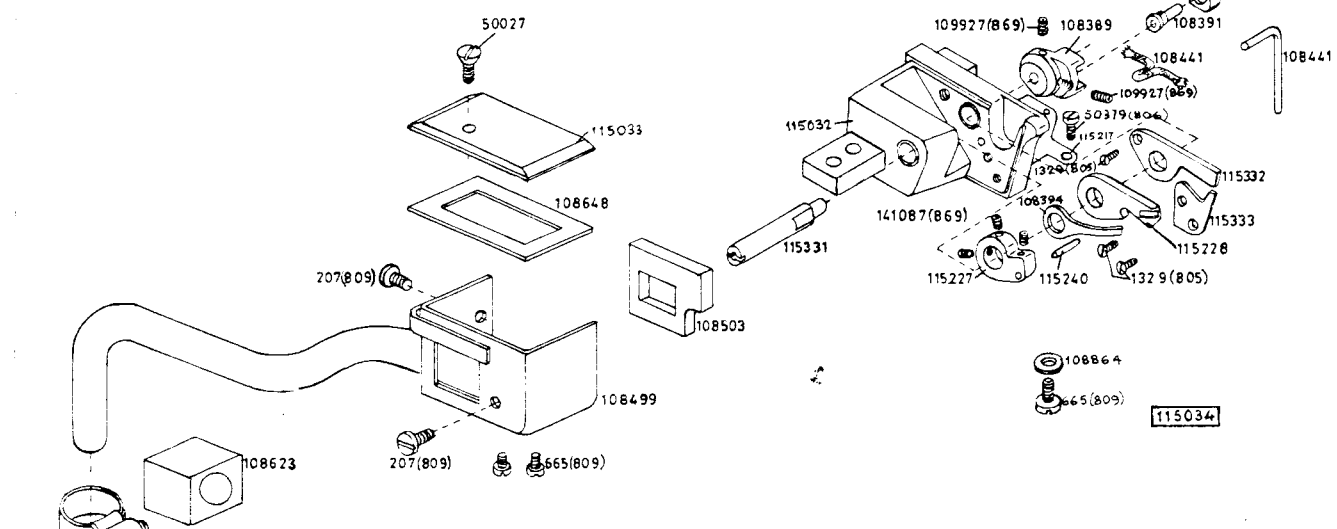


# CHAIN CUTTER RETRO-FIT KIT NUMBERS

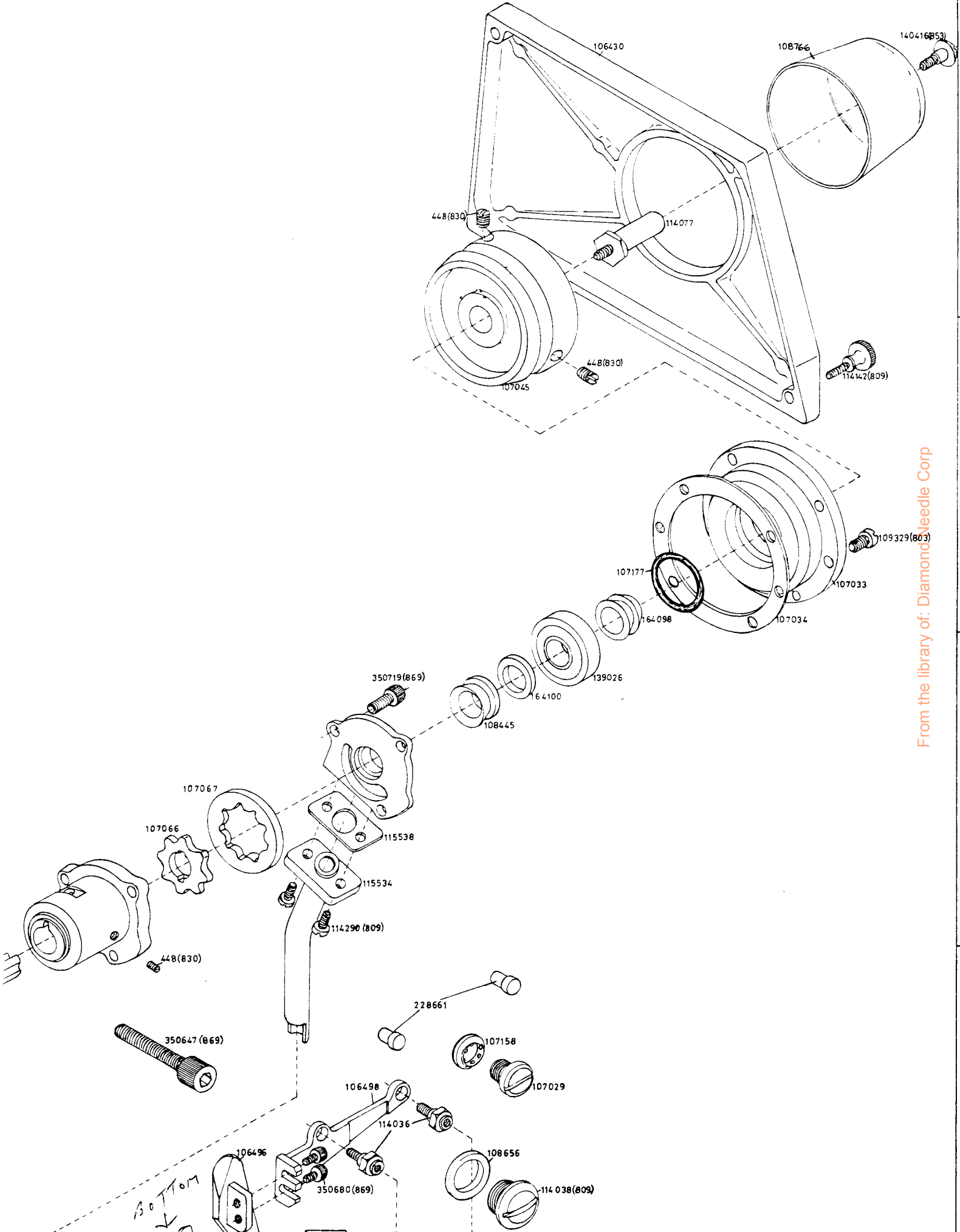
117032 FOR 997E3, E5, E6

117033 FOR 997E10, E11

108597



From the library of: Diamond Needle Corp



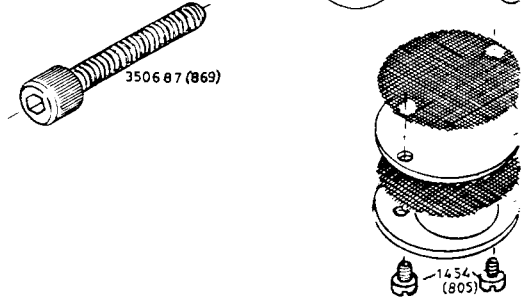
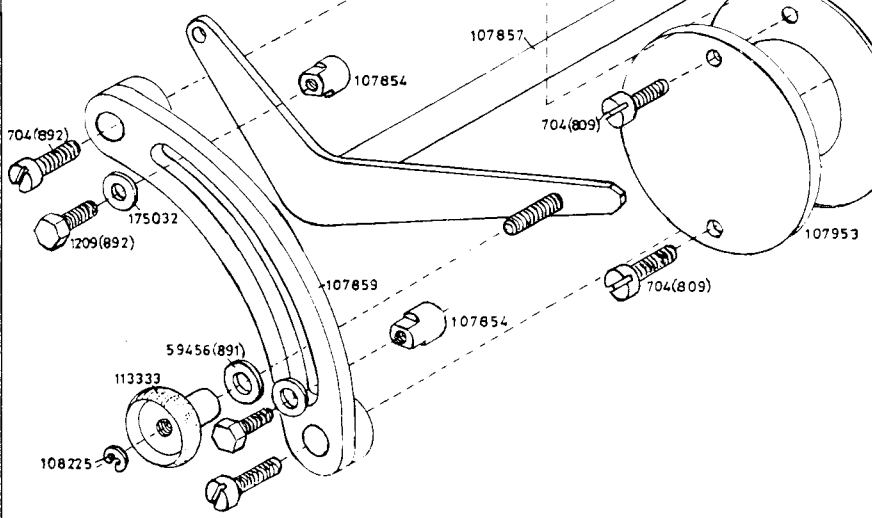
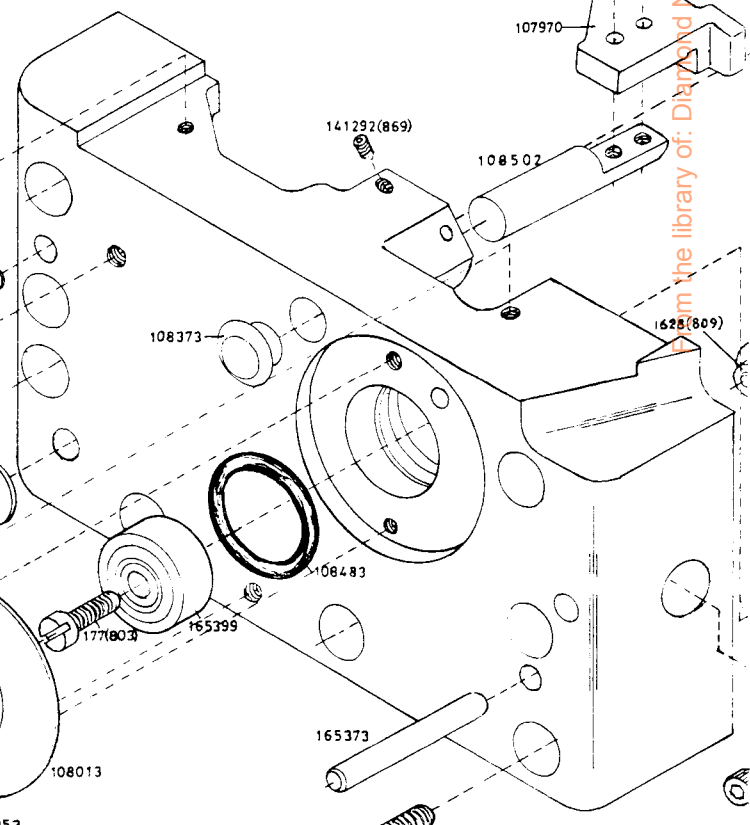
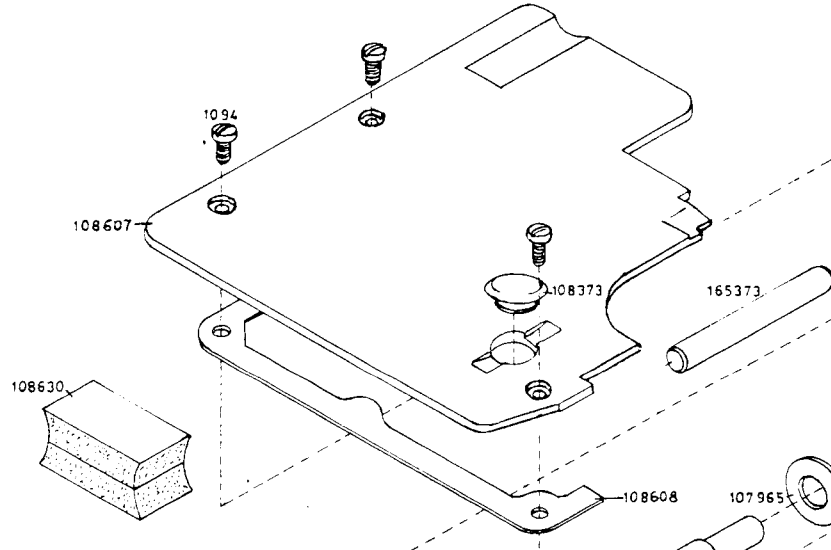
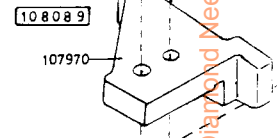
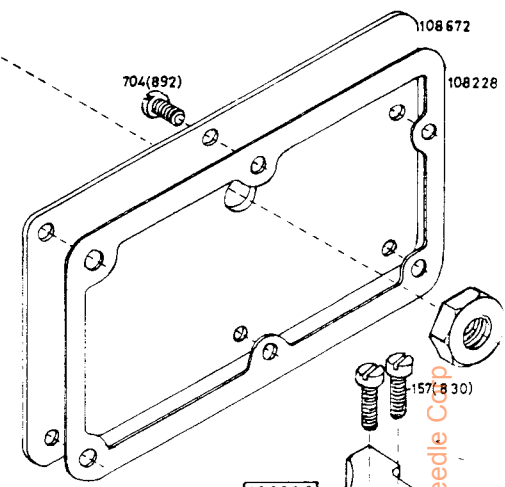
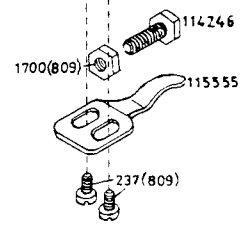
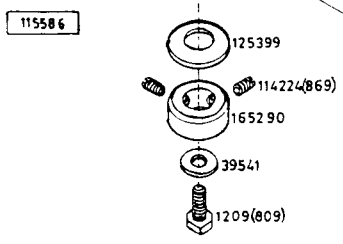
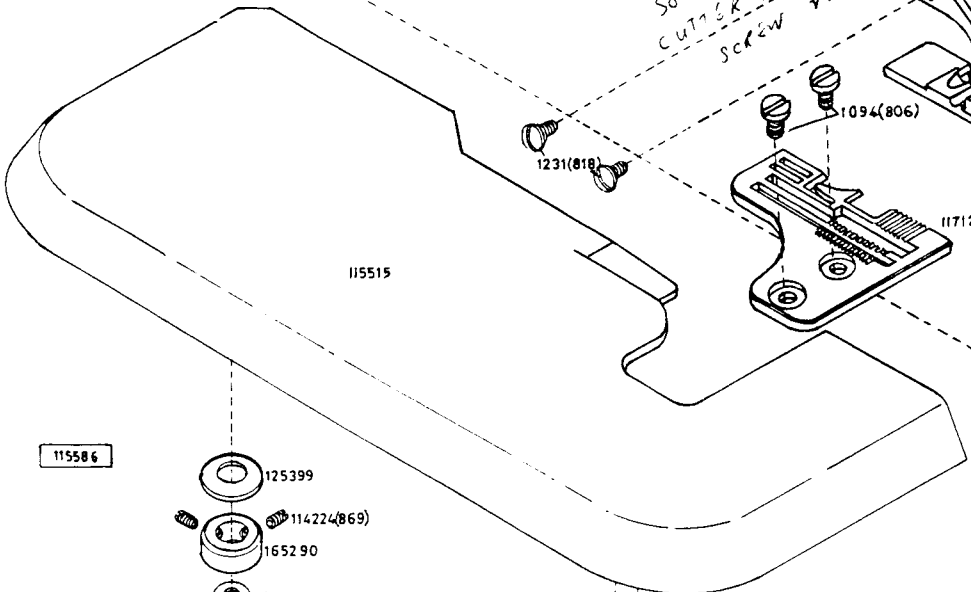
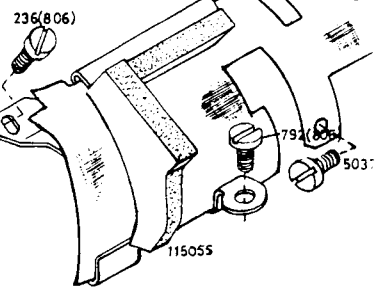
From the library of: Diamond Needle Corp

2

3

4

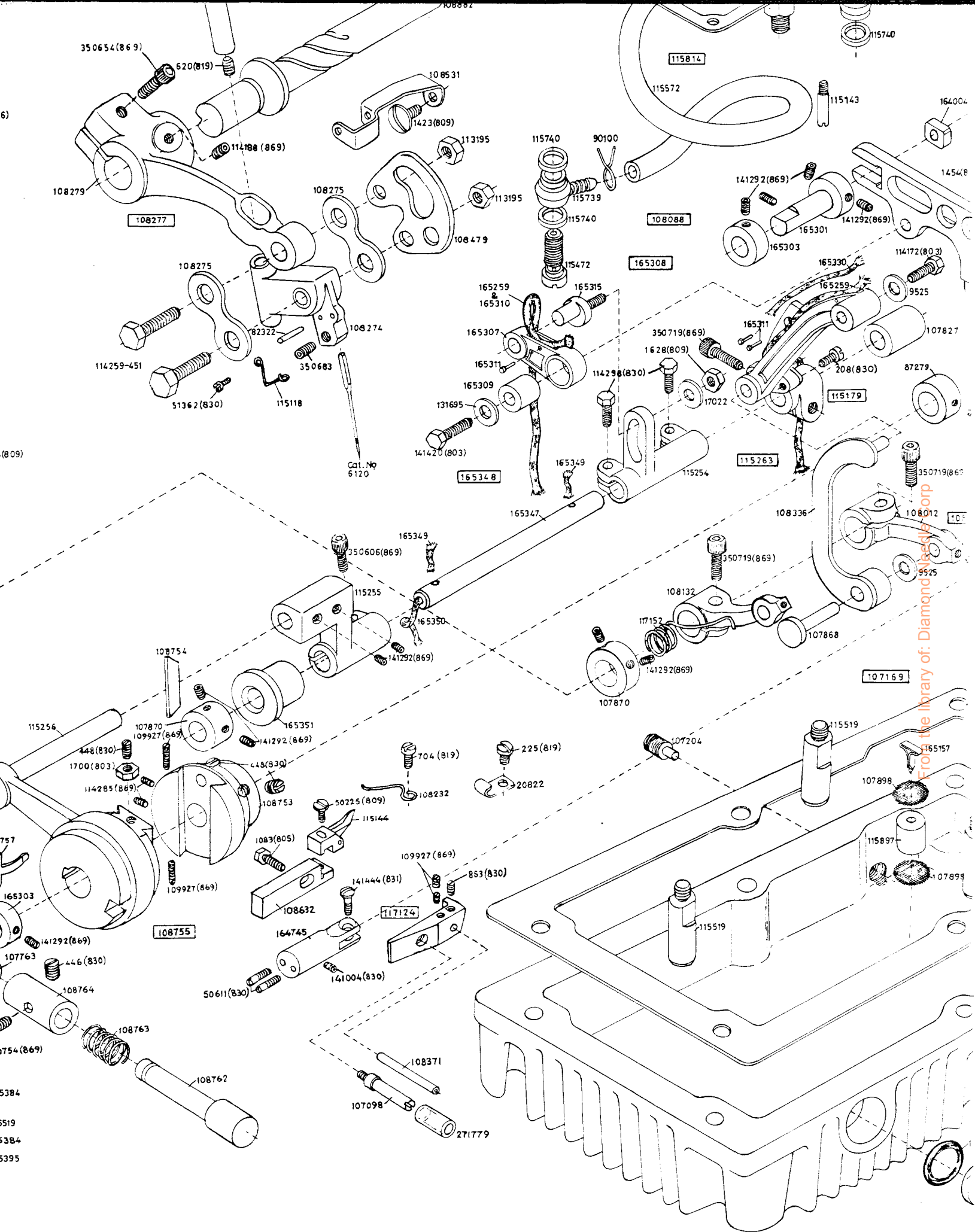
447(830) *SOLID CUTTER 115x11 SCREW 233*



From the library of: Diamond Needle Co.

A

C



6)

(809)

5384  
5519  
5384  
5395

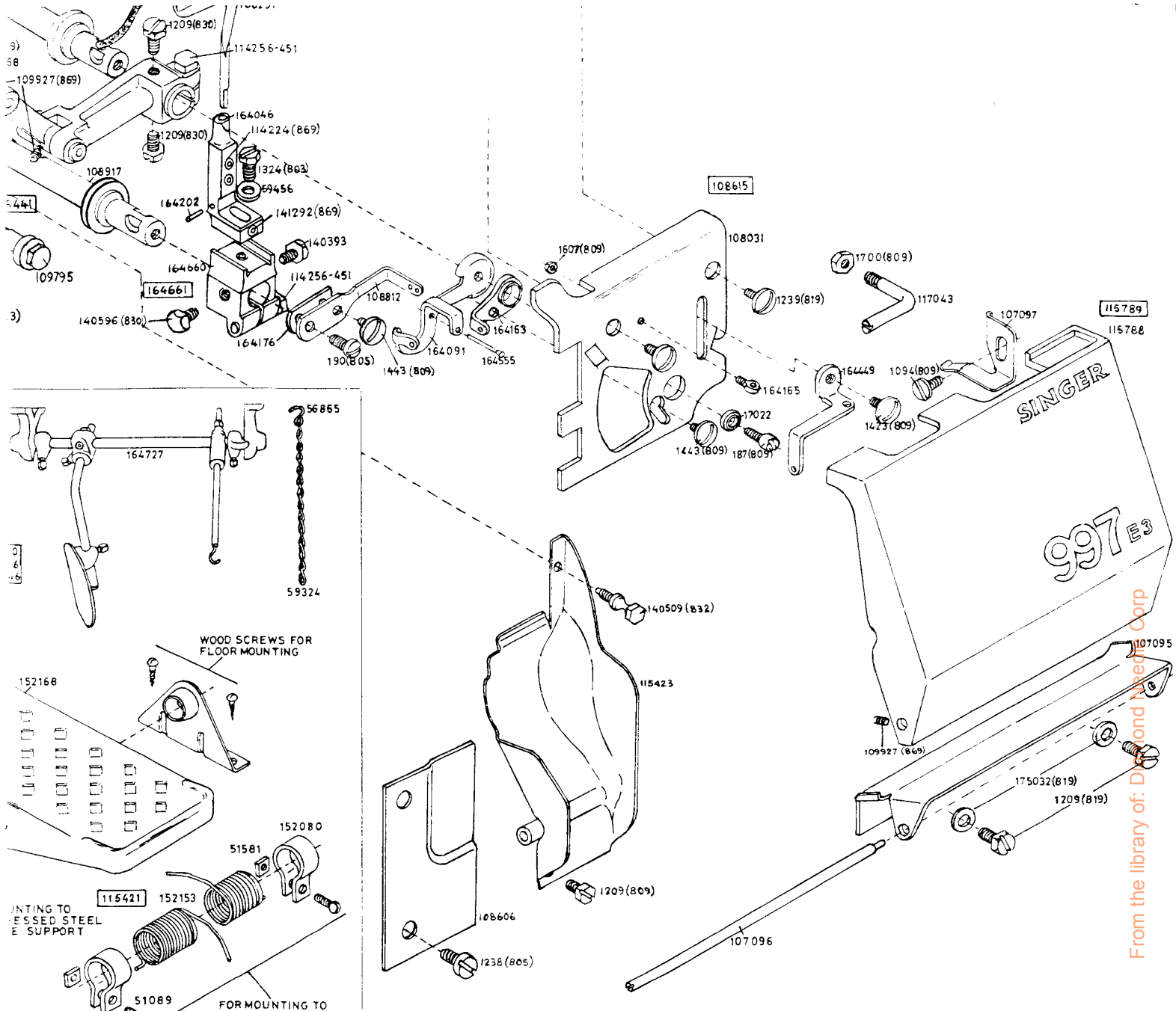
D

E

F

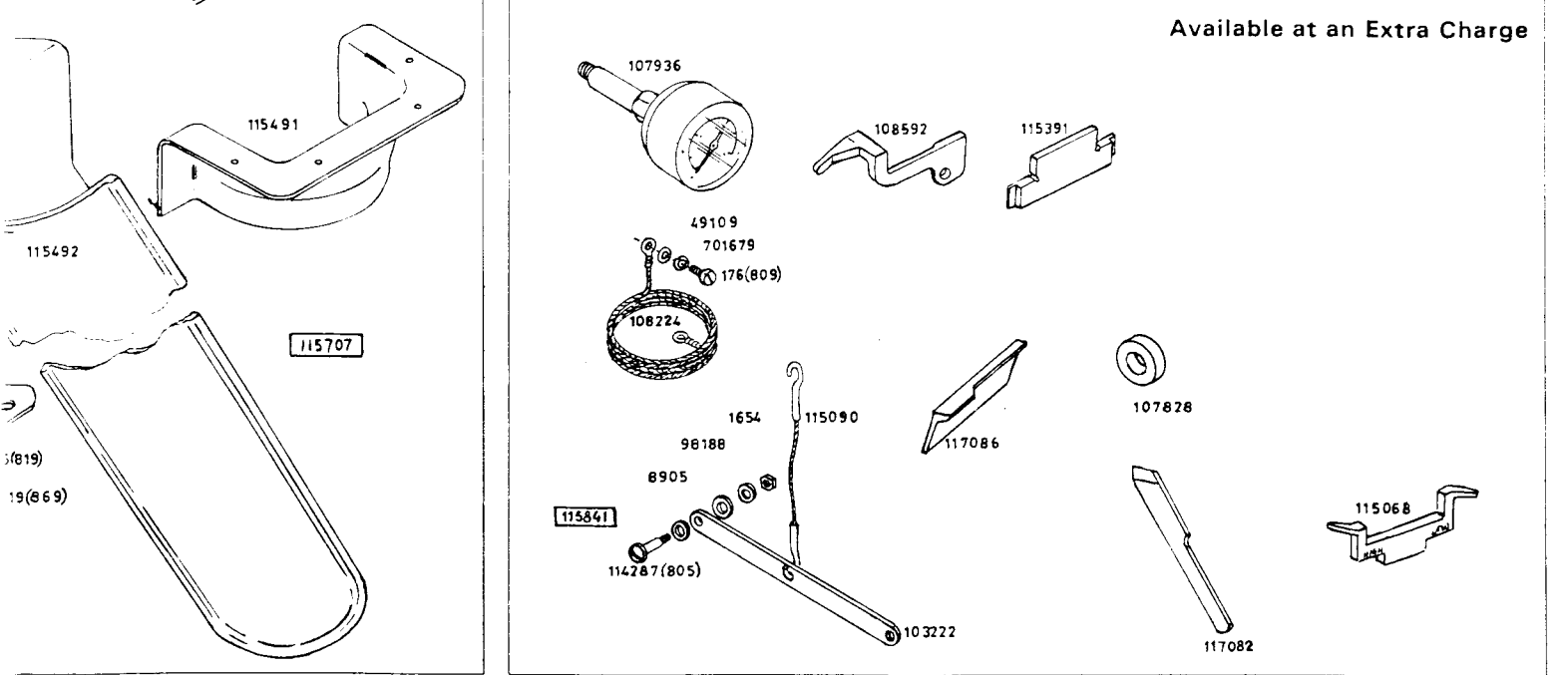






From the library of: **Diamond Needle Corp**

Available at an Extra Charge



Part No.	Description	Grid Ref.
157(830)	Feed (back) Bar Guide Bracket Screw	C8
176(809)	Earthing Wire Screw	Acc.
177(803)	Machine Frame Rotary Shaft Extension Screw	B8
187(805)	Thread (looper right hand) Take-up Screw	L6
190(805)	Thread (looper) Take-up Screw (lower)	K5
198(819)	Knife (movable) Holder Screw	H5
207(819)	Machine Frame Oil Splash Guard Cover Clamping Plate Securing Screw	C4
207(819)	Needle Post Oil Wick Holder Screw	E4
208(830)	Feed (front) Driving Arm Slide Block Plate Screw	F6
225(819)	Looper (right hand) Carrier Connecting Link Adjusting Sleeve Wick Clip Screw	E7
227(819)	Machine Frame (top) Bracket Cover Spring Screw	E3
236(806)	Machine Frame Oil Splash Guard Securing Screw (upper)	C5
237(809)	Cloth Plate Lock Spring Screw	B6
356(803)	Knee Lifter Rock Shaft Knee Arm Hub Set Screw	Acc.
356(803)	Knee Lifter Rock Shaft Knee Plate Set Screw	Acc.
356(803)	Knee Lifter Rock Shaft Stop Dog Set Screw	Acc.
440(830)	Feed Eccentric (adjustable) Stop Screw	D7
446(830)	Feed Eccentric (adjustable) Push Button Bush Set Screw	D8
447(830)	Knife (movable) Lever Bearing Set Screw	H4
447(830)	Presser Bar (swing-out) Stop Screw	B5
448(830)	Feed Eccentric (adjustable) Body Set Screw	D7
448(830)	Machine Pulley Set Screw	L2
448(830)	Oil Pump Body Bushing and Machine Frame Rotary Shaft (intermediate) Bushing Set Screw	K4
620(819)	Needle Post Oil Wick Sealing Screw	D5
665(821)	Machine Frame (top) Bracket Cover Hinge Screw	E3
691(803)	Machine Frame Wearing Plate Screw (2)	J5
704(892)	Differential Feed Regulating Plate Securing Screw (2)	A8
704(819)	Feed Driving Shaft Oil Wick Clip Securing Screw	E7
704(892)	Machine Frame Closing Plate (rear) Screw (6)	C6
704(809)	Machine Frame Rotary Shaft Bearing (left) Cover Screw (2)	B8
721(809)	Machine Frame Closing Plate (front) Screw (upper)	J5
792(804)	Machine Frame Oil Splash Guard Securing Screw (lower)	C5
853(830)	Looper (left hand) Thread Tube (lower) Set Screw	E7
1083(805)	Needle Guard Holder Screw	D7
1094(806)	Throat Plate Screw (2)	B5
1094(809)	Presser Bar Lifting Lever (long) Tension Spring Securing Screw	A4
1094(819)	Thread (looper) Plate Cover Latch Spring Screw	M5
1094(850)	Machine Frame (top) Bracket Closing Plate Screw (8)	E3
1094(806)	Feed (front) Bar Wearing Plate Screw	H5
1094	Machine Frame Oil Splash Cover (top) Securing Screw (3)	A7
1100(830)	Feed (back) Dog Section (right) Screw	—
1209(819)	Thread (looper) Plate Cover Hinge Bracket Screw (2)	M6
1209(809)	Chip Guard Screw (lower)	L7
1209(809)	Cloth Plate Hinge Stud Washer Retaining Screw	A6
1209(892)	Differential Feed Regulating Lever Stop Screw (2)	A8
1209(830)	Looper (right hand) Driving Lever Clamping Screw	K5
1238(805)	Machine Frame Front Cover Screw (2)	L6
1231(818)	Machine Frame Oil Splash Guard (top) Screw (2)	B5
1238(805)	Machine Frame Closing Plate (front) Screw (2)	J6
1239(819)	Thread (looper) Plate Screw (2)	L5
1259(830)	Knife (movable) Lever Bearing and Attachment Bracket Screw	H4
1324(830)	Looper (left hand) Carrier Screw	K5
1423(809)	Thread Eyelet (needle thread) Bridge Screw	E5
1423(809)	Thread (looper right hand) Thread Eyelet Screw	M6
1423(829)	Thread Eyelet (needle thread) Screw	E4
1443(809)	Machine Frame Oil Splash Seal Support Securing Screw	G4
1443(819)	Needle Post Oil Wick Sleeve Retaining Clamp Securing Screw	E4
1443(809)	Thread (looper right hand) Take-up Eyelet (adjustable) Screw	L6
1454(806)	Feed (back) Dog Screw	G5
1454(806)	Feed (front) Dog Screw	G5
1454(805)	Machine Frame Oil Drain Plate Screw (2)	C8
1520(809)	Thread Unwinder Mounting Tube Bracket Clamping Screw Nut (4)	—
1520(809)	Thread Unwinder Spool Pin Nut (8)	—
1520(809)	Thread Unwinder Spool Rest Support Securing Screw Nut	—
1520(809)	Thread Unwinder Thread Eyelet Support (lower) Screw Nut	—
1520(809)	Thread Unwinder Thread Eyelet Support (upper) (front) Securing Screw Nut	—
1520(809)	Thread Unwinder Thread Eyelet Support (upper) (rear) Securing Screw Nut	—
1607(809)	Thread (looper right hand) Thread Eyelet (stationary) Nut	L5
1607(809)	Thread (needle) Guide Post Securing Nut	E3
1608(809)	Presser Bar Lifting Lever (long) Hinge Stud Lock Nut	C6
1628(809)	Feed (back) Bar Driving Arm Eccentric Stud Nut	F6
1628(809)	Feed Driving Arm Pin Nut	C7
1628(809)	Knife (movable) Lever Hinge Pin Bearing Lock Nut	G5
1628(809)	Tension Thread Guide Securing Nut	E3
1654	Presser Bar Lifter Operating Arm Bracket Bolt Nut	Acc.

Part No.	Description	Grid Ref.
1698(809)	Tension (heavy) Lock Nut (2)	—
1698(809)	Tension (light) Lock Nut	E3
1700(809)	Cloth Plate Position Bracket Screw Nut	B6
1700(809)	Looper (right hand) Locking Screw Stud Nut	K5
1700(810)	Presser Bar Lifting Lever Stop Screw Nut	B4
1700(809)	Thread (looper) Plate Cover Latch Spring Pin Locking Nut	M5
1700(869)	Presser Bar (swing-out) Stop Screw Nut	B5
1700(803)	Feed Eccentric (adjustable) Stop Screw Nut	D7
2102	Tension (heavy) Disc	F1
2102	Tension (light) Disc	E2
2763	Knee Lifter Rock Shaft	—
2767	Knee Lifter Rock Shaft Knee Plate with 358(803)	—
2770	Knee Lifter Rock Shaft Stop Dog with 356(803)	—
3146	Knife (stationary) Clamping Gib Screw Washer	J5
6337	Knee Lifter Rock Shaft Lifting Bracket with two 140219(803)	—
8905	Presser Bar Lifter Operating Arm Bracket Washer	Acc.
9525	Differential Feed Driving Arm Stud Washer	F6
9525	Feed (front) Bar Connection Screw Washer	F5
9525(819)	Chip Chute Support Plate Screw Washer	Acc.
9842	Machine Base Mounting Screw Washer (4)	J6
10875	Wrench (flat)	Acc.
12242	Knee Lifter Rock Shaft Hanger with two wood screws 1 inch No. 10	—
17022	Feed (back) Bar Driving Arm Eccentric Stud Nut Washer	F6
17022	Thread (looper right hand) Take-up Screw Washer	L6
20822	Looper (right hand) Carrier Connecting Link Adjusting Sleeve Wick Clip	E7
21079	Needle Post Oil Wick Sleeve Retaining Clamp	D4
23250	Treadle Hinge Bracket Bolt Washer	Acc.
39541	Cloth Plate Hinge Stud Washer	A6
42436	Presser Bar (swing-out) Opening Lever Hinge Screw Washer	D3
49109	Earthing Wire Washer	Acc.
50073(809)	Machine Frame Top Cover Screw (2)	E2
50150(819)	Feed Lifting Eccentric Position Collar Screw	F6
50169(809)	Presser Foot Guide Screw	—
50225(809)	Needle Guard Screw	D7
50225(809)	Presser Foot Clamping Plate Screw	—
50364(832)	Presser Bar Lifting Lever Stop Screw	B4
50379(806)	Machine Frame Oil Splash Guard Cover Securing Screw (front)	C5
50611(830)	Knife (stationary) and Needle Guard Holder Position Screw	D8
51082-002	Treadle Hinge Bracket Bolt 141223-002 with 51581	Acc.
51089	Treadle Position Collar Bolt	Acc.
51302(806)	Knife (movable) Eccentric End Washer Securing Screw (2)	G5
51362(830)	Needle Holder Thread Guide Screw	E6
51369(809)	Presser Bar Lifting Lever Stop Plate Screw (3)	B3
51369(809)	Knife (movable) Lever Hinge Stud Set Screw	G4
51423(850)	Presser Bar Lifting Lever (long) Hinge Stud	A4
51581	Treadle Position Collar Bolt Nut	Acc.
51581	Treadle Hinge Bracket Bolt Nut	Acc.
51720(819)	Presser Bar Lifting Lever Hinge Stud Nut	B4
51723	Treadle Extension Wing Nut	Acc.
51797	Machine Base Mounting Screw Insert (4)	J6
56865	Chain Hook (small)	Acc.
59324	Chain (8 inch long) with 56865	Acc.
59456(891)	Differential Feed Regulating Lever Thumb Nut Washer	A8
59456(819)	Machine Frame Oil Splash Guard Cover Clamping Plate Washer	C4
59456	Looper (left hand) Carrier Washer	K5
67425	Treadle Extension Wing Nut Lock Washer	Acc.
67425	Treadle Hinge Bracket Bolt Nut Lock Washer	Acc.
81231	Machine Cushion (large) (2)	J6
81350-011	Tin of Oil (500 ml type H)	Acc.
82322	Needle Stop Pin	D6
86989	Machine Frame (top) Bracket Set Screw Access Hole Plug (rubber)	E2
87029	Knife (movable) Lever Bearing and Attachment Bracket	H4
87262	Knife (movable) Lever Bearing and Attachment Bracket 87029 with 1259(830)	H4
87279	Feed Lifting Eccentric Position Collar with 50150(819)	F6
90100	Oil Pipe Retaining Clip	E5
98188	Tension Thread Guide Securing Nut Washer	E2
98188	Presser Bar Lifter Operating Arm Bracket Bolt Washer	Acc.
98930	Machine Frame Rotary Shaft Ball Sleeve Guide	—
101970	Looper (right hand) Position Collar	J5
106132	Knife (movable) Holder	H5
106401	Oil Reservoir Oil Sight Gauge Seal (O-ring)	F8
106430	Belt Cover	L1
106461	Machine Frame (top) Bracket Cover Spring	E3
106462	Machine Frame (top) Bracket Hinged Cover Spring Pin	E3
106464	Knife (movable) Lever Guide	H4
106471	Knife (stationary) and Needle Guard Holder Sleeve Stud	H5
106472	Knife (stationary) and Needle Guard Holder Sleeve	J5

Part No.	Description	Grid Ref.
106476	Looper (right hand) Driving Shaft Access Hole Plug	—
106477	Looper (left hand) Driving Shaft Bushing (back)	H4
106477	Looper (right hand) Driving Shaft Bushing (back)	H4
106476	Looper (left hand) Driving Shaft Bushing (front)	J4
106486	Looper (right hand) Carrier Connecting Link Adjusting Sleeve Wick	H6
106492	Looper (right hand) Driving Shaft Bushing (front)	J4
106494	Looper (right hand) Driving Shaft Oil Wick	K5
106496	Looper (right hand) Four-Bar Linkage Mechanism Stabiliser	K4
106497	Looper (right hand) Four-Bar Linkage Mechanism Stabiliser 106498 and two 350680(869)	K4
106498	Looper (right hand) Four-Bar Linkage Mechanism Stabiliser Support Bracket	L4
107029	Machine Frame Oil Pressure Connection Plug	L4
107033	Machine Frame Rotary Shaft Ball Bearing Housing	M2
107034	Machine Frame Rotary Shaft Ball Bearing Housing Gasket	M2
107037	Machine Frame Rotary Shaft Oil Metering Pin	—
107045	Machine Pulley with two 448(830)	L2
107055	Needle Driving Shaft Crank Connection Roller (27)	—
107065	Oil Pump Drive Pin	J5
107066	Oil Pump Rotor (inner)	K3
107067	Oil Pump Rotor (outer)	K3
107071	Oil Reservoir Oil Sight Gauge	G8
107075	Oil Pump Relief Valve	F4
107077	Oil Pump Relief Valve Plunger	F4
107078	Oil Pump Relief Valve Spring	F4
107081	Presser Bar (swing-out) Opening Lever	D3
107082	Presser Foot Body	—
107083	Presser Foot complete, Nos. 50169(809), 50225(809), 107082, 164146, 164147 and 164149	B5
107084	Tension (heavy) Spring	F1
107085(429)	Tension (heavy) complete, (green) Nos. 107084, 107178, 107625, 113180(429), 113191(888), 114117(803) and two 2102	F1
107085(431)	Tension (heavy) complete, (red) Nos. 107084, 107178, 107625, 113180(431), 113191(888), 114117(803) and two 2102	F1
107086(430)	Tension (light) complete, (yellow) Nos. 107178, 107625, 113180(430), 113191(888), 114117(803), 164157 and two 2102	E1
107095	Thread (looper) Plate Cover Hinge Bracket	M6
107096	Thread (looper) Plate Cover Hinge Pin	M7
107097	Thread (looper) Plate Cover Latch Spring	M5
107098	Cloth Plate Lock Spring Retaining Screw Stud	E8
107158	Machine Frame Oil Pressure Gauge Connection Plug Gasket	L4
107169	Oil Return Filter (front) complete with 107898 (for agents only)	F7
107177	Machine Frame Rotary Shaft Ball Bearing Retaining Ring	M2
107178	Tension (heavy) Spring Bushing	F1
107178	Tension (light) Spring Bushing	E1
107185	Feed Lifting Eccentric	G5
107188	Knife (movable) Lever Hinge Pin	H4
107204	Oil Reservoir Drain Plug	F7
107501	Foot Lifter Operating Cable	Acc.
107502	Treadle Hinge Bracket	Acc.
107505	Operating Cable Retaining Collar with 140393	Acc.
107512	Treadle Hinge Bracket 107502 with two each 23250, 51082-002 and 67425	Acc.
107513	Operating Cable complete, Nos. 107501 and 107505	Acc.
107546	Treadle 115420 with two 107502, for each 23250, 51082-002 and 67425	Acc.
107575	Knife (movable) Lever with two 141292(869)	H4
107625	Tension (heavy) Spring Cover	F1
107625	Tension (light) Spring Cover	E2
107626	Treadle 115420 with two 107502 and four wood screws 3/4 inch (19 mm) No. 12 R.H.	Acc.
107627	Lint Cleaning Brush	Acc.
107763	Feed Eccentric (adjustable) Push Button Circlip	D8
107827	Feed Driving Shaft Bushing (right)	F6
107828	Feeler Gauge (0.04 inch) (available at an extra charge)	Acc.
107829	Feed (front) Bar Wearing Plate	G5
107832	Knife (movable) Lifting Lever with 1628(809), 107188, 108213 and two 51302(806)	H5
107854	Differential Feed Regulating Lever Stop (2)	A8
107857	Differential Feed Regulating Lever	A8
107859	Differential Feed Regulating Plate	A8
107868	Differential Feed Driving Arm Stud	F7
107870	Differential Feed Regulating Lever Shaft Collar with 141292(869)	E7
107870	Feed Driving Shaft Position Collar with two 141292(869)	D7
107898	Oil Return Filter (front) Screen (upper)	F7
107898	Oil Return Filter (front) Screen (lower)	F7
107936	Oil Pressure Gauge (available at an extra charge)	Acc.
107953	Machine Frame Rotary Shaft Bearing (left) Cover	B8
107965	Differential Feed Regulating Lever Shaft Oil Ring	B7
107970	Feed (back) Bar Guide Bracket	C6

Part No.	Description	Grid Ref.
108012	Differential Feed Driving Arm with 350719(869) and 141292(869)	F6
108013	Machine Frame Rotary Shaft Bearing (left) Cover Gasket	B8
108026	Machine Frame Rotary Shaft Bushing (front)	H5
108031	Thread (looper) Plate	L5
108057	Tweezers	Acc.
108058	Dust Cover (available at an extra charge)	—
108065	Oil Dispenser	Acc.
108075	Differential Feed Driving Arm 108012 with 9525 and 107868	F6
108088	Feed Bar Hinge Pin (eccentric) 165301 with 165303 and two 164004	F5
108089	Feed (back) Bar Guide Bracket 107970 with 108502 and two 157(830)	C6
108123	Belt Cover (rear)	Acc.
108132	Differential Feed Regulating Lever Return Spring Arm with 350719(869)	F6
108141	Feed (back) and (front) Bars complete, Nos. 108088 and 165135	G5
108147	Oil Funnel	Acc.
108213	Knife (movable) Eccentric End Washer	G5
108214	Machine Frame Oil Splash Seal Support	G4
108222	Presser Bar Lifter Operating Arm	Acc.
108224	Earthing Wire	Acc.
108225	Differential Feed Regulating Lever Thumb Nut Retainer	A8
108227	Feed (back) Dog Section (right)	—
108228	Machine Frame Closing Plate (rear) Gasket	C6
108232	Feed Driving Shaft Oil Wick Clip	E7
108248	Knife (movable) Lever Spacer	H4
108249	Knife (movable) Lever Hinge Stud	G4
108251	Looper (left hand)	K5
108253	Looper (left hand) Thread Tube (upper)	F3
108261-451	Machine Frame (top) Bracket Cover (hinged)	E3
108262	Machine Frame (top) Bracket Cover (hinged) 108261 with 227(819), 106461, 108263, 115674, 228661 and three 665(821)	E3
108263	Machine Frame (top) Bracket Cover Hinge	E2
108269	Needle Driving Shaft Crank	J3
108271	Needle Driving Shaft Crank Connection with 107055 (for agents only)	J3
108274	Needle Holder with 113195 and 114259-451 (for agents only)	D5
108275	Needle Holder Driving Link	D5
108277	Needle Holder Driving Lever with 108479, two each 108275, 113195 and 114259-451	D5
108279	Needle Holder Driving Lever with 113195 and 114259-451 (for agents only)	D5
108281	Needle Post Oil Wick (long)	E4
108282	Needle Post Oil Wick Connector	D4
108283	Needle Post Oil Wick Holder	E4
108284	Needle Post Oil Wick Sleeve	D4
108286	Needle Post Washer	D3
108288	Presser Bar Housing with 42436, 107081, 114082(853), 114159(805), 114170, 164143(850) and 164416	D3
108289	Presser Bar Lifting Lever (short)	C4
108290	Needle Post Oil Wick (short)	D3
108291	Presser Bar Lifting Lever Shaft	B4
108292	Presser Bar Lifting Lever Shaft Bushing	B4
108293	Presser Bar Lifting Lever (short) Collar with 114091(869)	C6
108295	Presser Bar Lifting Lever Stop Plate	B3
108296(850)	Presser Bar (swing-out)	B4
108298	Thread Eyelet (needle thread)	E4
108300	Machine Frame Top Cover Plug	F1
108311	Thread Unwinder Spool Pin (3)	—
108312	Thread Unwinder Spool Rest (3)	—
108314	Thread Unwinder Spool Rest Support	—
108318	Thread Unwinder Mounting Tube End Plug	—
108320	Thread Unwinder Mounting Tube Bracket (4)	—
108321	Thread Unwinder Thread Eyelet Support (lower) Holder	—
108322	Thread Unwinder Thread Eyelet (9)	—
108323	Thread Unwinder Mounting Tube	—
108325	Thread Unwinder Thread Eyelet Support (lower) with three each 108322 and 117008	—
108325	Thread Unwinder Thread Eyelet Support (upper) (front) with three each 108322 and 117008	—
108325	Thread Unwinder Thread Eyelet Support (upper) (rear) with three 108322 and 117008	—
108336	Differential Feed Driving Arm Connecting Link complete	F6
108371	Looper (left hand) Thread Tube (lower)	E8
108373	Machine Frame End Cover Hole Plug	B7
108373	Machine Frame Oil Splash Cover (top) Access Plug	A7
108445	Oil Pump Cover Oil Seal	L3
108452	Wrench (long) for 5/32 inch Socket Head Screw	Acc.
108479	Thread (needle) Controller	E5
108483	Machine Frame Rotary Shaft Bearing (left) Retaining Ring	B7



Part No.	Description	Grid Ref.
108502	Feed (back) Bar Guide Pin	C7
108531	Thread Eyelet (needle thread) Bridge	E5
108532	Needle Driving Shaft Position Collar with 114164(869)	H3
108592	Looper (left hand) Gauge (available at an extra charge)	Acc.
108604	Machine Frame Closing Plate (front)	J5
108606	Machine Frame Front Cover	L6
108607	Machine Frame Oil Splash Cover (top) complete, with 108608	A7
108608	Machine Frame Oil Splash Cover (top) Gasket	A7
108615	Thread (looper) Plate complete nos. 1423(809), 1443(809), 1607(909), 164163, 164165, 164449 and 108031	L5
108632	Needle Guard Holder	D7
108656	Oil Pump Body Clamping Screw Hole Plug Screw Gasket	L4
108669	Presser Bar Lifting Lever (long) Connection Rod	A4
108670	Presser Bar Lifting Lever (long) Connection Rod Cotter Pin (2)	A4
108671	Presser Bar Lifting Lever (long) Tension Spring	A4
108672	Machine Frame Closing Plate (rear)	C6
108673	Needle Driving Shaft Bushing (front) Thrust Washer	H3
108753	Feed Eccentric (adjustable) Body	D7
108754	Feed Eccentric (adjustable) Slide Gib	D7
108755	Feed Eccentric (adjustable) complete	D7
108757	Feed Eccentric (adjustable) Disc Spring	D7
108762	Feed Eccentric (adjustable) Push Button with plastic moulding	D8
108763	Feed Eccentric (adjustable) Push Button Return Spring	D8
108764	Feed Eccentric (adjustable) Push Button Bush	D8
108766	Machine Pulley Cap	M1
108777	Wrench (combination)	Acc.
108812	Thread (looper) Take-up	L5
108815	Wrench (socket)	Acc.
108864	Thread (needle) Guide Post Securing Nut Washer	E3
108882	Needle Driving Shaft (replacement) assembly (for agents only)	E5
108915	Machine Frame Rotary Shaft complete, Nos. 165404, five 107037 and two 98930	J4
108917	Looper (left hand) Driving Shaft	K5
108919	Looper (right hand) Driving Shaft with 106494	K4
108975	Machine Frame Oil Splash Guard (top)	C4
109329(803)	Machine Frame Rotary Shaft Ball Bearing Housing Screw (4)	M2
109795(803)	Looper (right hand) Carrier Connecting Link Adjusting Screw	K5
109927(869)	Looper (right hand) Carrier Connecting Link Hinge Pin Set Screw	K5
109927(869)	Chain Cutter Knife (movable) Driving Slide Block Stud Set Screw	G5
109927(869)	Thread (looper) Plate Cover Hinge Pin Locking Screw	M6
109927(869)	Throat Plate Guide and Support Bracket Locating Screw (2)	E7
109927(869)	Feed Eccentric (adjustable) Slide Gib Locking Screw	D7
113176	Knife (stationary) and Needle Guard Holder Sleeve Stud Lock Nut	J5
113176(819)	Machine Frame (top) Bracket Hinged Cover Spring Pin Lock Nut	E4
113179(805)	Oil Pump Relief Valve Spring Screw Stud Locking Nut	F4
113180(429)	Tension (heavy) Regulating Thumb Nut (green)	F1
113180(430)	Tension (light) Regulating Thumb Nut (yellow)	E1
113180(431)	Tension (heavy) Regulating Thumb Nut (red)	F1
113191(888)	Tension (heavy) Screw Stud Lock Nut	F1
113191(888)	Tension (light) Screw Stud Lock Nut	E1
113195	Needle Holder Driving Link Hinge Screw Nut	E5
113195	Needle Holder Driving Lever Hinge Screw Nut	E5
113324(850)	Needle Post Lock Nut	D3
113333	Differential Feed Regulating Lever Thumb Nut	A8
114032(832)	Knife (stationary) Clamping Gib Screw	J5
114036	Looper (right hand) Four-Bar Linkage Mechanism Stabiliser Securing Screw (2)	L4
114038(809)	Oil Pump Body Clamping Screw Hole Plug Screw	L4
114077	Machine Frame Rotary Shaft Screw Stud	M1
114081(805)	Oil Pump Relief Valve Spring Screw Stud	F4
114082(853)	Presser Bar (swing-out) Opening Lever Hinge Screw	D3
114091(869)	Presser Bar Lifting Lever (short) Collar Set Screw	B4
114092(803)	Looper (left hand) Driving Shaft Crank Clamping Screw	—
114092(803)	Looper (right hand) Driving Shaft Crank Clamping Screw	—
114097(809)	Thread Unwinder Mounting Tube Bracket Clamping Screw (4)	—
114097(809)	Thread Unwinder Spool Rest Support Securing Screw	—
114097(809)	Thread Unwinder Thread Eyelet Support (lower) Screw	—
114097(809)	Thread Unwinder Thread Eyelet Support (upper) (front) Securing Screw	—
114097(809)	Thread Unwinder Thread Eyelet Support (upper) (rear) Securing Screw	—
114117(803)	Tension (heavy) Screw Stud	F2
114117(803)	Tension (light) Screw Stud	E2
114130(830)	Knife (stationary) and Needle Guard Holder Sleeve Stud Set Screw	H5
114142(809)	Belt Cover Screw (2)	M2
114159(805)	Pressure Regulating Thumb Screw Locking Screw	D3

Part No.	Description	Grid Ref.
114161(869)	Presser Bar Housing Screw (3)	—
114164(869)	Needle Driving Shaft Position Collar Screw	H4
114170	Pressure Regulating Thumb Screw	D1
114172(803)	Feed (front) Bar Connection Screw	F5
114188(869)	Needle Holder Driving Lever Locating Screw	D5
114222(869)	Needle Driving Shaft Crank Clamping Screw	J3
114224(869)	Knife (movable) Eccentric Set Screw	H5
114224(869)	Looper (left hand) Set Screw	K5
114224(869)	Oil Pump Suction Filter Collar Screw	G7
114224(869)	Presser Bar Lifting Lever Shaft Collar Set Screw	C4
114224(869)	Cloth Plate Position Collar Set Screw	A6
114246(809)	Cloth Plate Position Bracket Screw	B6
114256-451	Looper (left hand) Carrier Holder Clamping Screw	K5
114256-451	Looper (right hand) Driving Lever Clamping Screw	K5
114258-451	Looper (left hand) Driving Shaft Crank Connection Cap (upper) Screw	—
114258-451	Looper (right hand) Driving Shaft Crank Connection Cap (upper) Screw	—
114259-451	Needle Holder Driving Lever Hinge Screw	D6
114259-451	Needle Holder Driving Link Hinge Screw	D6
114263-451	Looper (left hand) Driving Shaft Crank Connection Cap (lower) Screw	—
114263-451	Looper (right hand) Driving Shaft Crank Connection Cap (lower) Screw	—
114264-451	Needle Driving Shaft Crank Connection Cap (lower) Screw	—
114285(869)	Feed Eccentric (adjustable) Slide Gib Adjusting Screw	D7
114287(805)	Presser Bar Lifter Operating Arm Bracket Bolt	Acc.
114290(809)	Oil Pump Suction Pipe Securing Screw	L3
114292(869)	Machine Frame Hole Plug Screw	—
114298(830)	Feed (back) Bar Driving Arm Clamping Screw	F6
115053	Machine Frame Oil Splash Guard Cover Clamping Plate	C4
115055	Machine Frame Oil Splash Guard complete	C5
115061	Oil Pump Relief Valve Body	F4
115062	Oil Pump Relief Valve complete, Nos. 107075, 107077, 107078, 115061, 113179(805) and 114081(805)	F4
115067	Needle Driving Shaft Crank Hinge Pin Wick	J4
115068	Needle Height Gauge (available at an extra charge)	Acc.
115090	Presser Bar Lifter Connecting Cable	Acc.
115111	Looper (right hand)	J5
115118	Needle Holder Thread Guide	E6
115140	Knife (stationary) and Needle Guard Holder	H5
115141	Knife (stationary) and Needle Guard Holder (adjustable) complete, Nos. 115140, 141444(831) and 164745	H5
115142	Knife (stationary) and Needle Guard Holder (adjustable) with Gib complete, Nos. 3146, 114032(832), 115141 and 164744	H5
115143	Oil Pipe Guide Pin	F5
115144	Needle Guard (front)	E7
115179	Feed (front) Bar Connection with 165259, 165330 and two 165311	F6
115254	Feed Driving Arm with 350606(809) and two 141292(869)	E6
115255	Feed (back) Bar Driving Arm with two 114298(830)	F6
115256	Feed Driving Arm Pin	D7
115263	Feed (back) Bar Driving Arm 115255 with 1628(809), 17022 and 165315	F6
115390	Presser Bar Lifting Lever Hinge Stud	B4
115391	Looper (right hand) Gauge (available at an extra charge)	Acc.
115418	Treadle Extension	Acc.
115420	Treadle 152168 with 51723, 67425, 115418 and 152171	Acc.
115421	Treadle 115420 with 152153 and two 152080	Acc.
115423	Chip Guard complete	L6
115440	Looper (right hand) Carrier Connecting Link Eccentric Adjusting Sleeve Cap Plug	J5
115441	Looper (right hand) Four Bar Linkage Mechanism complete, Nos. 1700(809), 109795(803), 115440, 164068 two each 1209(830) and 132584	K5
115465	Machine Base	H6
115466	Oil Reservoir	F8
115484	Tension Thread Guide	E1
115485	Machine Frame (top) Bracket Closing Plate Gasket	F4
115486	Machine Frame (top) Bracket Closing Plate with 115485	F4
115491	Chip Chute Sleeve	Acc.
115492	Chip Chute	Acc.
115510	Oil Reservoir Gasket	F7
115514	Oil Breather Plug Screw	F3
115515	Cloth Plate	A5
115517	Oil Filler Cap and Flow Indicator	F3
115518	Chip Chute Support Plate	Acc.
115519	Machine Frame Support Pin	F7
115520	Presser Bar Lifting Lever (long)	A4
115534	Oil Pump Suction Pipe	L3
115536	Oil Pump Suction Filter with 114224(869)	G7

Part No.	Description	Grid Ref.
115538	Oil Pump Suction Pipe Gasket	L3
115540	Oil Filler Cap Oil Seal	F3
115541	Tension Regulator Thread Guide	F2
115545	Thread (needle) Guide Post	E2
115555	Cloth Plate Lock Spring	B8
115572	Oil Pipe	E5
115586	Cloth Plate complete, Nos. 1700(809), 114246(809), 115515, 115555 and two 237(809)	A5
115589	Oil Reservoir 107088 with 106401, 107071 and 107204	F8
115608	Thread Unwinder (three spools) complete, Nos. 108314, 108321, 108322, three each, 108311 108312, 108325, wood screws 1 1/4 inch No. 12 R.H., four 108320, eight 114097(809) and sixteen 1520(809)	Acc.
115674	Machine Frame (top) Bracket Cover Spring Screw Lock Washer	E3
115694	Machine Frame Top Cover assembly Nos. 1607(809), 107085(429), 107085(431), 107086(430), 108300, 108864, 115484, 115545, 228661, two each 1628(809), 98188, 108253, three each 1698(809), 115541 and 931084	F2
115684	Screwdriver	Acc.
115695	Machine Frame Top Cover with 108300, 228661 and two 108253	F2
115707	Chip Chute complete, Nos. 115492, 115518, two each 9525(819) and 350719(869)	Acc.
115739	Oil Pipe Banjo Connection	E5
115740	Oil Pipe Banjo Connection Washer (fibre) (4)	E5
115741	Oil Pipe Banjo Connection Retaining Screw	F4
115788	Thread (looper) Plate Cover with 109927(69)	M6
115789	Thread (looper) Plate Cover 115788, with 1094(819), 107095, 107096 and 107097	M6
115742	Oil Pipe Banjo Connection Retaining Screw (lower)	E5
115814	Oil Pipe 115572 with two each 90100 and 115739	F5
115841	Presser Bar Lifter Operating Arm 108222 with 114287(805), 98188, 1654, 115090 and two 8905	Acc.
115897	Oil Return Filter (front) Pad	F7
117008	Thread Unwinder Thread Eyelet Circlip	—
117043	Thread (looper) Plate Cover Latch Spring Pin	M5
117082	Knife (stationary) Wide (alternative available at an extra charge)	Acc.
117086	Knife (movable) narrow (alternative available at an extra charge)	Acc.
117119	Feed (back) Dog Section) (left)	—
117120	Feed (front) Dog	G5
117121-006	Throat Plate (3/32 inch Bight)	—
117121-008	Throat Plate (1/8 inch Bight)	—
117121-010	Throat Plate (5/32 inch Bight)	—
117121-012	Throat Plate (3/16 inch Bight)	—
117124	NOTE: Throat Plate 117121-008 (1/8 inch bight) fitted as standard. Throat Plate Guide and Support Bracket with 853(830) and two 109927(869)	E8
117152	Differential Feed Regulating Lever Return Spring	F7
117205	Feed (back) Dog complete, Nos. 1100(830), 117119 and 108227	G5
125399	Cloth Plate Hinge Stud Friction Washer	A6
131695	Feed (back) Bar Connection Screw Washer	E6
132584	Looper (right hand) Carrier Connecting Link Pin	J5
139026	Machine Frame Rotary Shaft Ball Bearing	L3
140050(833)	Knife (movable) Clamp Screw	J5
140219(803)	Knee Lifter Rock Shaft Lifting Bracket Set Screw	—
140351(803)	Rock Shaft Knee Arm Hub Clamping Screw	—
140393(830)	Looper (left hand) Carrier Holder Set Screw (right)	K5
140393	Operating Cable Retaining Collar Screw	Acc.
140416(853)	Machine Pulley Cap Screw	M1
140509(832)	Chip Guard Screw (upper)	L6
140596(830)	Looper (left hand) Carrier Holder Set Screw (left)	K5
140930(869)	Looper (left hand) Driving Shaft Crank Position Screw	J4
140930(869)	Looper (right hand) Driving Shaft Crank Position Screw	J4
141004(830)	Knife (stationary) and Needle Guard Holder Locking Screw	E8
141223-002	Treadle Hinge Bracket Bolt	Acc.
141292(869)	Differential Feed Driving Arm Stud Set Screw	F6
141292(869)	Differential Feed Regulating Lever Shaft Collar Set Screw	E7
141292(869)	Feed Bar Hinge Pin (eccentric) Collar Set Screw	D7
141292(869)	Feed Bar Hinge Pin (eccentric) Positioning Pin Set Screw	G5
141292(869)	Feed Bar Hinge Pin (eccentric) Set Screw	F5
141292(869)	Feed (back) Bar Guide Pin Securing Screw	C7
141292(869)	Feed Driving Arm Pin Securing Screw	E7
141292(869)	Feed Driving Shaft Position Collar Set Screw	D7
141292(869)	Knife (movable) Lever Hinge Pin Set Screw	H4
141292(869)	Looper (left hand) Carrier Set Screw	K5
141292(869)	Needle Driving Shaft Crank Hinge Pin Set Screw	J3
141292(869)	Feed Eccentric (adjustable) Disc Position Collar Set Screw	D7
141420(803)	Feed (back) Bar Connection Screw	E6
141444(831)	Knife (stationary) and Needle Guard Holder Screw	E7
143283	Knee Lifter Rock Shaft Knee Arm	—

Part No.	Description	Grid Ref.
143284	Knee Lifter Rock Shaft Knee Arm Hub with 356(803) and 140351(803)	—
143285	Knee Lifter Rock Shaft Knee Arm complete, Nos. 2767, 143283 and 143284	—
150203	Thread Unwinder Spool Rest Cushion (felt) (3)	—
152080	Treadle Positioning Collar with 51089	Acc.
152153	Treadle Spring	Acc.
152168	Treadle	Acc.
152171	Treadle Extension Swivel Stud	Acc.
161294	Screw Driver (plastic handle) (large)	Acc.
164004	Feed Bar Slide Block (back)	F5
164027(819)	Knife (movable) Clamp	J5
164030	Knife (movable) Holder Screw Bearing	H4
164042	Operating Cable Friction Sleeve	Acc.
164043	Knife (stationary) and Needle Guard Holder Spring	H5
164046	Looper (left hand) Carrier with 141292(869), 114224(869) and 164202	K5
164053	Looper (left hand) Driving Shaft Crank Thrust Bearing	J4
164053	Looper (right hand) Driving Shaft Crank Thrust Bearing	J4
164068	Looper (right hand) Locking Screw Stud	K5
164091	Thread (looper, right hand) Take-up with 164555	L5
164093	Machine Frame Rotary Shaft Ball Sleeve	—
164098	Machine Frame Rotary Shaft Oil Return and Ball Bearing Grease Retainer	L2
164100	Machine Frame Rotary Shaft Thrust Bearing	L3
164143(850)	Presser Bar (upright)	D3
164144	Presser Bar (upright) Spring (alternative to 164416)	D2
164146	Presser Foot Chaining-off Finger	—
164147	Presser Foot Clamping Plate	—
164149	Presser Foot Guide	—
164157	Tension (light) Spring	E1
164163	Thread (looper, right hand) Take-up Eyelet (adjustable)	L5
164165	Thread (looper, right hand) Thread Eyelet (stationary)	L5
164189	Machine Cushion (small) (2)	H6
164196	Threader (6)	Acc.
164202	Looper (left hand) Stop Pin	K5
164416	Presser Bar (upright) Spring (heavy)	D2
164449	Thread (looper, right hand) Thread Eyelet (movable)	M6
164525	Knife (stationary) Holder Spring Stud	H5
164550	Knife (movable)	H5
164555	Thread (looper, right hand) Take-up Guide Wire	L5
164660	Looper (left hand) Carrier Holder with 114256-451, 140393(830) and 140596(830)	K5
164661	Looper (left hand) Carrier Holder 164660 with 1324(803), 59456 and 164046	K5
164727	Knee Lifter complete, Nos. 2763, 6337, 59324, 143285, 164729 and two each 2770 and 12242	Acc.
164728	Knife (stationary)	H5
164729	Knee Lifter Rock Shaft Lifting Bracket Hook	—
164744	Knife (stationary) Clamping Gib	H5
164745	Knife (stationary) and Needle Guard Holder Body with two 50611(803)	D8
165135	Feed Bar Slide Block (front)	G5
165157	Oil Return Filter (front) Fastener	F7
165259	Feed (back) Bar Connection Oil Wick (long)	E6
165259	Feed (front) Bar Connection Oil Wick (long)	F5
165290	Cloth Plate Position Collar with two 114224(869)	A6
165290	Presser Bar Lifting Lever Shaft Collar with two 114224(869)	C4
165291	Knife (movable) Guard (lower)	J5
165301	Feed Bar Hinge Pin (eccentric)	F5
165303	Feed Bar Hinge Pin (eccentric) Collar with 141292(869)	F5
165303	Feed Eccentric (adjustable) Disc Position Collar with 121292(869)	D7
165306	Feed (back) Bar	F5
165307	Feed (back) Bar Connection	E6
165308	Feed (back) Bar Connection 165307 with 165259, 165310 and 165311	E6
165309	Feed (back) Bar Connection Bushing	E6
165310	Feed (back) Bar Connection Oil Wick (short)	E6
165311	Feed (back) Bar Connection Oil Wick Retaining Pin	E6
165311	Feed (front) Bar Connection Oil Wick Retaining Pin	F6
165315	Feed (back) Bar Driving Arm Eccentric Stud	E5
165326	Feed (front) Bar	G5
165330	Feed (front) Bar Connection Oil Wick (short)	F5
165347	Feed Driving Shaft	E6
165348	Feed Driving Shaft 165347 with 165350 and two 165349	E6
165349	Feed Driving Shaft Cross Oil Wick	E6
165350	Feed Driving Shaft Oil Wick	E7
165351	Feed Driving Shaft Bushing (left)	D7
165373	Machine Frame End Cover Dowel Pin	B7
165373	Machine Frame (top) Bracket Position Dowel Pin	—
165384	Machine Frame Oil Drain Plate Screen	C8

Part No.	Description	Grid Ref.
165395	Machine Frame Oil Drain Plate	C8
165399	Machine Frame Rotary Shaft Bearing (left)	B8
165404	Machine Frame Rotary Shaft Key	H4
165406	Machine Frame Wearing Plate	J5
165487	Knife (movable) Guard (upper)	J5
165519	Machine Frame Oil Drain Plate Filter (felt)	C8
175032(892)	Differential Feed Regulating Lever Stop Screw Washer (2)	A8
175032(819)	Thread (looper) Plate Cover Hinge Bracket Screw Washer (2)	M6
228661	Machine Frame (top) Bracket Cover Stop (rubber)	F3
228661	Machine Frame Top Cover Tension Screw Hole Plug	E2
228661	Thread (looper) Plate Cover Stop (rubber) (2)	L4
271779	Cloth Plate Lock Spring Retaining Screw Stud Sleeve	E8
350606(869)	Feed Driving Arm Clamp Screw	E6
350647(869)	Oil Pump Body Clamping Screw	K4
350647(869)	Machine Base Mounting Screw (4)	J6
350654(869)	Needle Holder Driving Lever Clamping Screw	D5
350680(869)	Looper (right hand) Four-Bar Linkage Mechanism Stabiliser Screw	L4
350683(869)	Needle Clamping Screw	D6
350687(869)	Machine Frame End Cover Securing Screw	C8
350687(869)	Machine Frame (top) Bracket Set Screw	—
350719(869)	Differential Feed Driving Arm Clamping Screw	F6
350719(869)	Differential Feed Regulating Lever Return Spring Arm Clamping Screw	F6
350719(869)	Feed (front) Bar Driving Arm Screw	F6
350719(869)	Oil Pump Cover Screw	L3
350719(869)	Chip Chute Support Plate Screw	Acc.
350744(869)	Oil Reservoir Screw (6)	G8
350754	Feed Eccentric (adjustable) Push Button Set Screw	D8
701679	Earthing Wire Screw Washer	Acc.
820193-010	Wrench (regular) for 7/32 inch Socket Head Screw	Acc.
820193-003	Wrench (regular) for 5/64 inch Socket Head Screw	Acc.
820193-005	Wrench (regular) for 1/8 inch Socket Head Screw	Acc.
820193-009	Wrench (long) for 3/32 inch Socket Head Screw	Acc.
820193-007	Wrench (regular) for 3/16 inch Socket Head Screw	Acc.
931084	Tension (heavy) Screw Stud Lock Washer	—
931084	Tension (light) Screw Stud Lock Washer	—
Cat. 6120	Needle, size 12.	E6

### Chain Cutter Retro-fit Kits

No. 117032 (997E3, E5 and E6)

No. 117033 (997E10 and E11)

Part No.	Description
115032	Chain Cutter Knife Holder and Feed Bar Guide
115064	Chain Cutter Knife Holder and Feed Bar Guide Cover
108499	Chain Cutter Knife Holder and Feed Bar Guide Cover (top)
115033	Chain Cutter Knife Holder and Feed Bar Guide Cover (top)
115050	Chain Cutter Knife Holder and Feed Bar Guide Cover (top) Gasket
108648	Chain Cutter Knife Holder and Feed Bar Guide Cover (top) Securing Screw
50027(823)	Chain Cutter Knife Holder and Feed Bar Guide Cover (top) Suction Tube Oil Seal
108623	Chain Cutter Knife Holder and Feed Bar Guide Cover (top) Securing Screw (2)
207(809)	Chain Cutter Knife Holder and Feed Bar Guide Cover (inner) Seal
108503	Chain Cutter Knife Holder and Feed Bar Guide Cover (inner) Seal
665(809)	Chain Cutter Knife Holder and Feed Bar Guide Cover (inner) Securing Screw (lower) (2)
50379(806)	Chain Cutter Knife Holder and Feed Bar Guide Oil Deflector Securing Screw (front)
115217	Chain Cutter Knife Holder and Feed Bar Guide Oil Deflector Securing Screw (rear)
665(809)	Chain Cutter Knife Holder and Feed Bar Guide Oil Deflector Securing Screw (rear) Washer
108864	Chain Cutter Knife Holder and Feed Bar Guide Oil Deflector Securing Screw (rear) Washer
114224(869)	Chain Cutter Knife Holder and Feed Bar Guide Pin Securing Screw
115228	Chain Cutter Knife (movable) with 115240
108389	Chain Cutter Knife (movable) Driving Fork with two 109927(869)
109927(869)	Chain Cutter Knife (movable) Driving Fork Set Screw (2)
115240	Chain Cutter Knife (movable) Drive Pin
141087	Chain Cutter Knife (movable) Drive Pin Securing Screw

### Chain Cutter Retro-fit Kits (Continued)

Part No.	Description
108390	Chain Cutter Knife (movable) Driving Slide Block Mated Components may be supplied only as 108597
108391	Chain Cutter Knife (movable) Driving Slide Block Stud with 108495
109927(869)	Chain Cutter Knife (movable) Driving Slide Block Stud Set Screw
108495	Chain Cutter Knife (movable) Driving Slide Block Stud Wick
108597	Chain Cutter Knife (movable) Driving Fork 108389 with 108390 and 108391
115331	Chain Cutter Knife (movable) Shaft
115227	Chain Cutter Knife (movable) Shaft Drive Collar with three 141087(869)
141087(869)	Chain Cutter Knife (movable) Shaft Drive Collar Set Screw (2)
108394	Chain Cutter Knife (movable) Spring
115332	Chain Cutter Knife (stationary)
115333	Chain Cutter Knife (stationary) Extension
1329(805)	Chain Cutter Knife (stationary) Extension Screw (2)
1329(805)	Chain Cutter Knife (stationary) Screw
108441	Chain Cutter Knives Oil Wick
108406	Chain Cutter Suction Pipe (supplied only when specified on order and at an extra charge)
108585	Chain Cutter Suction Pipe Clip (supplied only when specified on order and at an extra charge)
115727	Cloth Plate
115728	Cloth Plate complete, Nos. 1700(809), 51408(832), 115727, 165287 and two 237(809)
115206	Machine Frame Oil Splash Guard (top)
115037	Machine Frame Oil Splash Cover with 108608
115038	Machine Frame Oil Splash Guard
108627	Machine Frame Oil Splash Support

### 997E5 Machine

This machine is the same as the 997E3 machine with the following exceptions:

Part On	Description	Part Off
165134	Feed Bar Slide Block (front)	165135
115223	Feed (back and front) Bars complete nos. 108088, 165134, 165306 and 165326	108141
117296	Feed (back) Dog Section (left)	117119
164280	Feed (back) Dog Section (right)	108227
117297	Feed (back) Dog complete nos. 1100(830), 164280 and 117296	117205
117293	Feed (front) Dog	117120
101832	Feed Lifting Eccentric	107185
115191	Knife (movable) Lifting Lever	107832
82264	Knife (movable) (serrated)	164550
164815*	Presser Bar (upright) Spacing Collar	—
164814*	Presser Bar (upright) Spring (heavy)	164111
*Only supplied when specified on order. Presser Bar (upright) Spring 164416 is supplied regularly with these machines.		
164378	Presser Foot Body	107082
164379	Presser Foot Chaining-off Finger	164146
164360	Presser Foot Guide	164149
164380	Presser Foot complete nos. 50169(809), 50225(809), 164147, 164360, 164378 and 164379	107083
115792	Thread (looper) Plate Cover with 109927	115788
115793	Thread (looper) Plate Cover 115817 with 1094(819), 107095, 107096 and 107097	115789



## 997E6 Machine

This machine is the same as the 997E3 machine with the following exceptions:

Part On	Description	Part Off
164866	Feed (back) Dog Section (left)	164011
164012	Feed (back) Dog Section (right)	108227
164867	Feed (back) Dog complete nos. 1100(830), 164012 and 164866	108229
115224	Feed (front) Dog	108991
164871	Gathering Plate (swing-up)	
164872	Gathering Plate (swing-up) Holder	
164873	Gathering Plate (swing-up) Holder Housing with 50292(803)	
1517(809)	Gathering Plate (swing-up) Holder Housing Nut	
442(830)	Gathering Plate (swing-up) Holder Housing Stop Screw	
1628(809)	Gathering Plate (swing-up) Holder Housing Stop Screw Nut	
164874	Gathering Plate (swing-up) Holder Housing Support	
50409(803)	Gathering Plate (swing-up) Holder Housing Support Hinge Screw	
49204	Gathering Plate (swing-up) Holder Housing Support Hinge Screw Friction Washer	
1655(809)	Gathering Plate (swing-up) Holder Housing Support Hinge Screw Nut	
164875	Gathering Plate (swing-up) Holder Housing Support Joint	
460(830)	Gathering Plate (swing-up) Holder Housing Support Set Screw	
1264(803)	Gathering Plate (swing-up) Holder Stop Screw	
164876	Gathering Plate (swing-up) Lifter	
50318(809)	Gathering Plate (swing-up) Lifter Adjusting Screw	
1772(809)	Gathering Plate (swing-up) Lifter Adjusting Screw Nut	
115901	Gathering Plate (swing-up) Lifter Lever	
115902	Gathering Plate (swing-up) Lifter Lever (adjustable) 115901 with 1772(809) and 50318(809)	
227(809)	Gathering Plate (swing-up) Lifter Lever Screw	
50169(803)	Gathering Plate (swing-up) Lifter Screw	
217(809)	Gathering Plate (swing-up) Screw	
165034	Gathering Plate (swing-up) Lifting Lever with 853(830)	
853(830)	Gathering Plate (swing-up) Lifting Lever Set Screw	
164877	Gathering Plate (swing-up) Tension Spring	
164878	Gathering Plate (swing-up) Tension Spring Pressure Adjusting Head (hexagon)	
50292(803)	Gathering Plate (swing-up) Tension Spring Pressure Adjusting Head Set Screw	
115903	Gathering Plate (swing-up) with Holder, Holder Housing and Housing Support with 115902 and 227(809)	
164887	Presser Foot Body	107082
164888	Presser Foot complete nos. 50225(809), 164146, 164147 and 164887	107083
115794	Thread (looper) Plate Cover with 109927(869)	115788
115795	Thread (looper) Plate Cover 115345 with 1094(819), 107095, 107096 and 107097	115789
82335-001	Throat Plate	117121

## Knee Lifter Parts (supplied with 997E6)

Part No.	Description
115904	Knee Lifter Cable with Hook 16 inches long
107505	Knee Lifter Cable Collar
115905	Knee Lifter Rock Shaft 12 inches long
97502	Knee Lifter Rock Shaft Hanger with two wood screws 1 inch no. 10
143283	Knee Lifter Rock Shaft Knee Arm
147489	Knee Lifter Rock Shaft Knee Hub with 356(803) and 140035(803)
140351(803)	Knee Lifter Rock Shaft Knee Hub Clamping Screw
147488	Knee Lifter Rock Shaft Knee Arm complete nos. 2767, 143283 and 147489
140219(803)	Knee Lifter Rock Shaft Lifting Bracket Hook Set Screw
140219(803)	Knee Lifter Rock Shaft Lifting Bracket Set Screw
2767	Knee Lifter Rock Shaft Knee Plate with 356(803)
356(803)	Knee Lifter Rock Shaft Knee Plate Set Screw
6337	Knee Lifter Rock Shaft Lifting Bracket with two 140219(803)
115906	Knee Lifter Rock Shaft Lifting Bracket Hook Shaft
2770	Knee Lifter Rock Shaft Stop Dog with 356(803)
356(803)	Knee Lifter Rock Shaft Stop Dog Set Screw
115907	Knee Lifter complete nos. 115904, 6337, 107505, 115905, 147488, 115906 and two each 2770 and 97502



## 997E10 Machine

This machine is the same as the 997E3 machine with the following exceptions:

Part On	Description	Part Off
115211	Chain Cutter	—
233(850)	Chain Cutter Screw	—
115991	Chip Guard complete	115423
115562	Cloth Plate	115515
115847	Cloth Plate complete nos. 1700(809), 115562, 115555 and two 237(809)	115586
164615	Feed (back) Dog Section (left)	117119
164616	Feed (back) Dog Section (right) complete	108227
164617	Feed (back) Dog complete nos. 1100(830), 164615 and 164616	117205
117262	Feed (front) Dog	117120
117292	Feed (front) Dog (2mm)	—
164556	Knife (movable)	164550
115992	Knife (stationary)	164728
115993	Knife (stationary) Holder Adjustable complete nos. 141444, 164745 and 115992	115141
115994	Knife (stationary) Holder Adjustable with Gib complete nos. 3146, 114032(832) 164744 and 115993.	115142
1238(892)	Machine Frame Front Cover Screw (2)	1238(892)
115625	Machine Frame Oil Splash Guard (top)	108975
115697	Machine Frame Top Cover with 108300 and two 108253	115695
115696	Machine Frame Top Cover assembly nos. 1607(809), 107085(429), 107085(481), 107085(624): 107086(430), 108300, 108864, 115484, 115545 two each 1628(809), 98188, 108253, four each 1698(809), 115541 and 931084	115694
115995	Needle Guard (front)	115144
115987	Needle Guard (right) (front)	—
115988	Needle Guard (right) (front) Holder	—
207(850)	Needle Guard (right) (front) Holder Securing Screw	—
50429(830)	Needle Guard (right) (front) Securing Screw (2)	—
115170	Needle Holder with 113195	108274
115171	Needle Holder Driving Lever with 108479, two each 108275, 113195 and 114259-451	108277
117081	Needle Holder Thread Guide	115118
108287	Needle Holder Stop Pin (adjustable)	—
853(830)	Needle Holder Stop Pin (adjustable) Set Screw	—
164626	Presser Foot Body	107082
164360	Presser Foot Guide	164149
164627	Presser Foot complete nos. 50169(809), 50225(809), 164146, 164147, 164360 and 164626	107083
107085(624)	Tension (heavy) complete (blue) 107084, 107178, 107625, 113180(624), 113191(888), 114117(803) and two 2102	—
113180(624)	Tension (heavy) Regulating Thumb Nut (blue)	—
108615	Thread (looper) Plate complete nos. 1423(809), 1443(809), 1607(909), 164163, 164165, 164449 and 108031	—
115796	Thread (looper) Plate Cover with 109927(869)	115788
115797	Thread (looper) Plate Cover 115796 with 107095, 107096, 107097 and 1094(819)	115789
117261	Throat Plate (0.109 gauge)	117121-008
<b>Accessories</b>		
117086	Knife (movable) Narrow (available at extra charge)	—
820193-002	Wrench (regular) for 1/16 inch Socket Head Screw	—
117001	Thread Unwinder	115608

## 997E11 Machine

This machine is the same as the 997E10 with the following exceptions:

Part On	Description	Part Off
165134	Feed Bar Slide Block (front)	165135
115223	Feed (back and front) Bars complete nos. 164004, 165301, 165303, 165305, 165134, 165306 and 165326	108141
117288	Feed (front) Dog	117262
115191	Knife (movable) Lifting Lever with 107188, 108213, 1628(809) and two 51302(806)	107832
82264	Knife (movable) (serrated)	164556
115798	Thread (looper) Plate Cover with 109927(869)	115796
115799	Thread (looper) Plate Cover 115798 with 107095, 107096, 107097 and 1094(819)	115787
117284	Throat Plate (0.109 gauge)	117261
101832	Feed Lifting Eccentric	107185